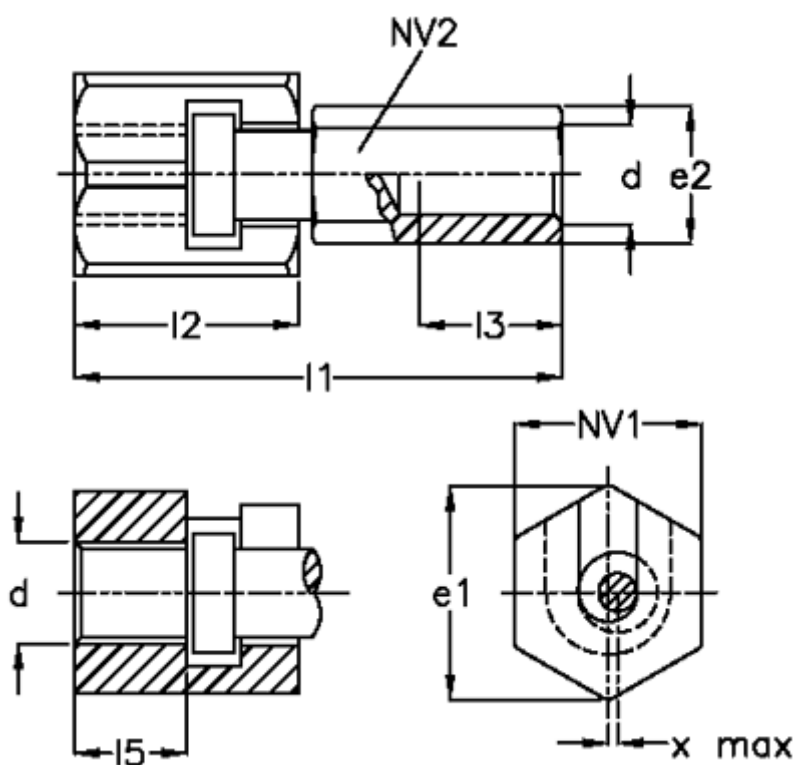


Article number: 20055553

Description: E+G Quick-fit coupling (radial displacement)  
GN 240-M12x1,25-B

## Measures



d	= M 12x1,25	Max push-pull strength N = 10000
e1	= 32.5	NV 1 = 30
e2	= 21.0	NV 2 = 19
l1	= 66.5	
l2	= 34.0	
l3	= 21.0	
l5 +1	= 17.0	
Max displacement	= 0.8	